

# HL510

## Hydraulic rock drill

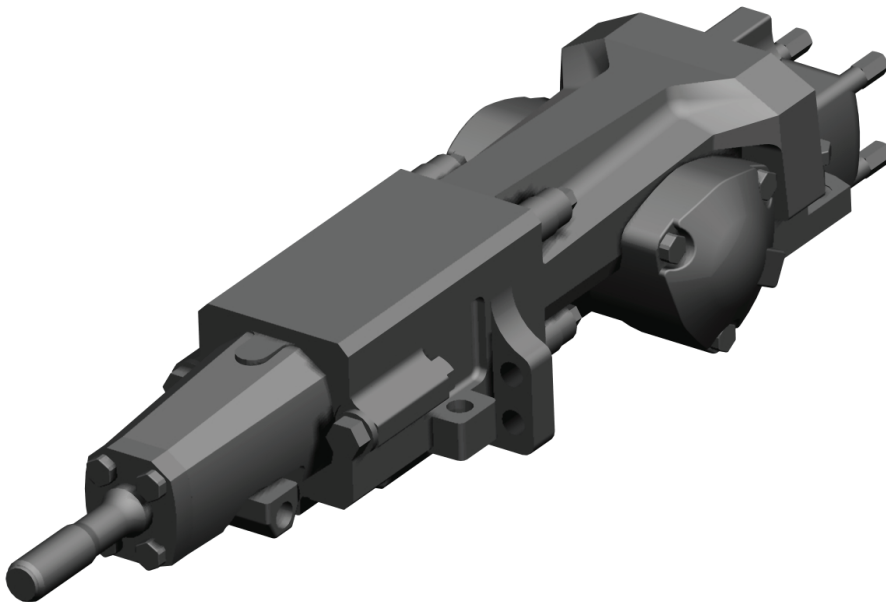
### Key features

Hole diameter bolting	32 - 45 mm
Hole diameter drilling	43 - 51 mm
Hole diameter reaming	76 - 127 mm
Hole diameter long hole drilling	48 - 64 mm
Power class	16 kW
Percussion rate	59 Hz
Operating pressure	
Percussion	120 - 175 bar
Rotation (max.)	175 bar
Rotation motor type	OMSU 80, OMSU 125
Drill steels	H32 / H35 drifter rods H25 / H28 drifter rods, 32 mm integral steels. R39 / H35 MF-rods
Shanks	45 mm / 500 mm / T38 38 mm / 460 mm / R32 45 mm / 350 mm / R32
Weight	130 kg

Sandvik HL510 S/F hydraulic rock drill is designed for face, bolt and long hole drilling. Sandvik HL 510S is used in DL Series long hole drilling rigs.

Sandvik HL510 S/F is a compact, robust and universal hydraulic rock drill. It is known of its hydraulic efficiency and high penetration rate. Sandvik HL510 S/F has excellent serviceability through modular construction and visual wear indicators. Robustness is achieved by only few pressurized seams between functional modules. Therefore Sandvik HL510 S/F has high efficiency when in action with minimized downtime.

Biodegradable oils can be used both in hydraulic and shank lubrication to reduce the risk for the environment.



**Technical drawing**

All dimensions in mm

**Rotation mechanism**

Motor	Orbit type
Motor type 1	OMSU 80
Torque (at 175 bar)	400 Nm
Rotation speed	0 - 250 rpm
Flow (at max speed)	46 l/min

**Flushing pressure**

Max. pressure (air / water)	10 - 20 bar
-----------------------------	-------------

**Shank lubrication**

Air flow	250 - 350 l/min
Pressure	4 - 7 bar
Oil consumption	200 - 300 g/h

**Oil recommendation**

Oil operating temperature	+40°C up to +60°C
Oil recommendation	See Sandvik drill rigs lubricant recommendation for detailed information

**Rotation mechanism**

Motor	Orbit type
Motor type 2	OMSU 125
Torque (at 175 bar)	625 Nm
Rotation speed	0 - 250 rpm
Flow (at max speed)	72 l/min

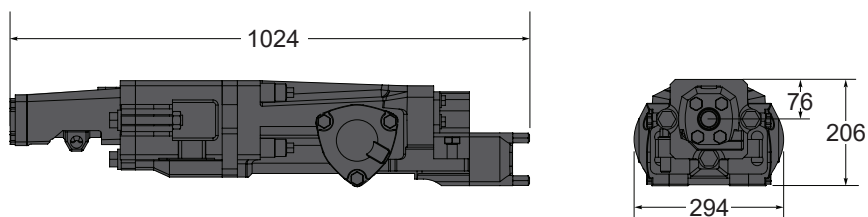
**Accumulators**

Accumulator gas	Nitrogen N2
High pressure (HP)	50 bar
Low pressure (LP)	4 bar
Filling valve	Vg8 DIN7756

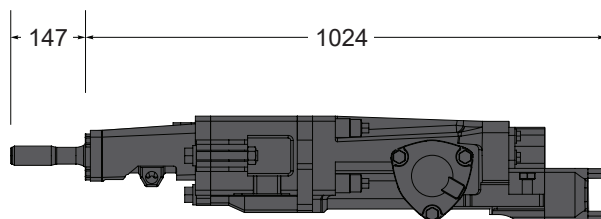
**Options**

Special tools for HL 510	ID 152 257 68
Complete set	
Special tools for HL510	ID 880 817 19
Field tools set	

HL510F



HL510S-45



HL510S-38

